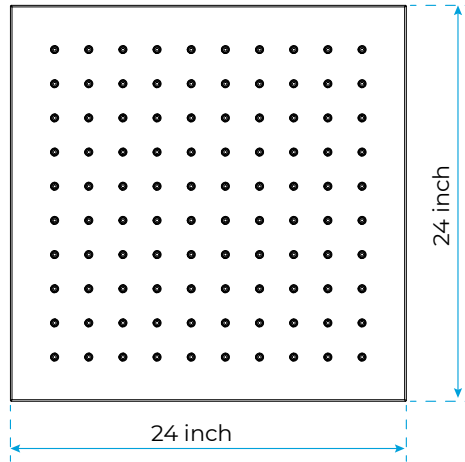


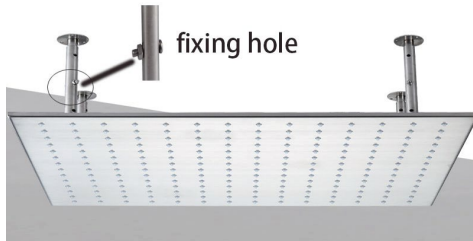
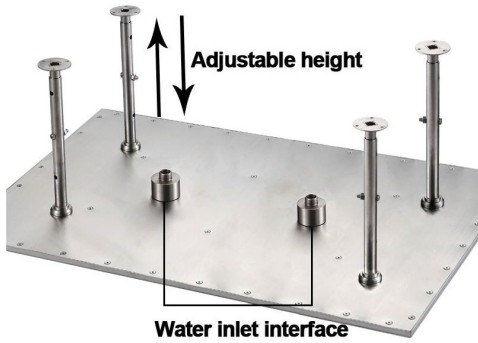
2 WAY LED RAINFALL THERMOSTATIC SHOWER SYSTEM WITH HANDHELD SHOWER SPECIFICATIONS



Shower Head

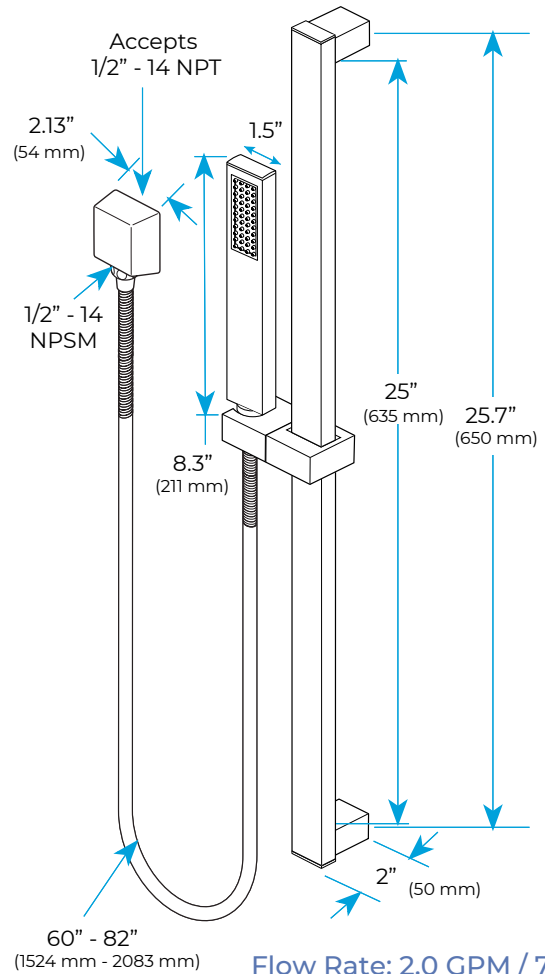


1/2" NPT inlets
Easy clean nozzles
Flow Rate: 9.5L/min 2.5 GPM

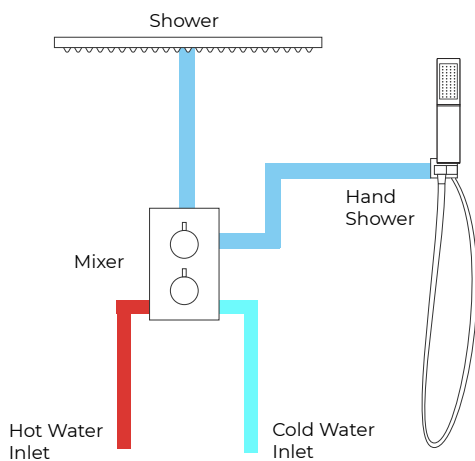


Product images shown is only for installation display purpose

Hand Shower



Mixer Connections



All dimensions and specifications are nominal and may vary. Use actual products for accuracy in critical situations.